

# MANUAL PULSE GENERATOR

## (PANEL-MOUNTED HANDWHEEL)

### iHDW-AX Series

**Suitable for CNC lathes or small machines.**  
**Easy for operators to do axial adjustment.**



### Features

- Oil & waterproof design
- 25 PPR or 100 PPR available
- Short body and light weight design
- Power supply system DC 5V / DC 12V / DC 24V
- Provide  $\varnothing 60$  and  $\varnothing 80$ mm handle wheels to choose
- Multiple output types suit for many CNC controllers
- Protect inversion of polarity



**FUTURE LIFE TECHNOLOGY CO., LTD.**

13Fl, No. 963, Jong-Jeng Rd., Jong-Ho Dist., New Taipei City, Taiwan 23544

TEL : 886 + 2-8227-5339 FAX : 886 + 2-8227-5572 Email : amaker@ms24.hinet.net



MANUAL PULSE GENERATOR

## Ordering Information

iHDW	A	A	60																																														
SERIES NAME	MODEL	TYPE	DIAMETER																																														
iHDW	A	<table border="1"> <thead> <tr> <th>Type</th> <th>Specification</th> </tr> <tr> <th></th> <th>Power</th> <th>Pulse</th> <th>Output</th> </tr> </thead> <tbody> <tr> <td>A</td> <td>5V</td> <td>100PPR</td> <td>R330</td> </tr> <tr> <td>B</td> <td>5V</td> <td>25PPR</td> <td>R330</td> </tr> <tr> <td>C</td> <td>12V</td> <td>100PPR</td> <td>R2.0K</td> </tr> <tr> <td>D</td> <td>12V</td> <td>25PPR</td> <td>R2.0K</td> </tr> <tr> <td>E</td> <td>5V</td> <td>100PPR</td> <td>DIFF</td> </tr> <tr> <td>F</td> <td>5V</td> <td>25PPR</td> <td>DIFF</td> </tr> <tr> <td>G</td> <td>24V</td> <td>100PPR</td> <td>R2.0K</td> </tr> <tr> <td>H</td> <td>24V</td> <td>25PPR</td> <td>R2.0K</td> </tr> </tbody> </table>	Type	Specification		Power	Pulse	Output	A	5V	100PPR	R330	B	5V	25PPR	R330	C	12V	100PPR	R2.0K	D	12V	25PPR	R2.0K	E	5V	100PPR	DIFF	F	5V	25PPR	DIFF	G	24V	100PPR	R2.0K	H	24V	25PPR	R2.0K	<table border="1"> <thead> <tr> <th colspan="2">Diameter</th> </tr> <tr> <th colspan="2">Handwheel Diameter</th> </tr> </thead> <tbody> <tr> <td>60</td> <td>Ø60mm</td> </tr> <tr> <td>80</td> <td>Ø80mm</td> </tr> </tbody> </table>	Diameter		Handwheel Diameter		60	Ø60mm	80	Ø80mm
Type	Specification																																																
	Power	Pulse	Output																																														
A	5V	100PPR	R330																																														
B	5V	25PPR	R330																																														
C	12V	100PPR	R2.0K																																														
D	12V	25PPR	R2.0K																																														
E	5V	100PPR	DIFF																																														
F	5V	25PPR	DIFF																																														
G	24V	100PPR	R2.0K																																														
H	24V	25PPR	R2.0K																																														
Diameter																																																	
Handwheel Diameter																																																	
60	Ø60mm																																																
80	Ø80mm																																																

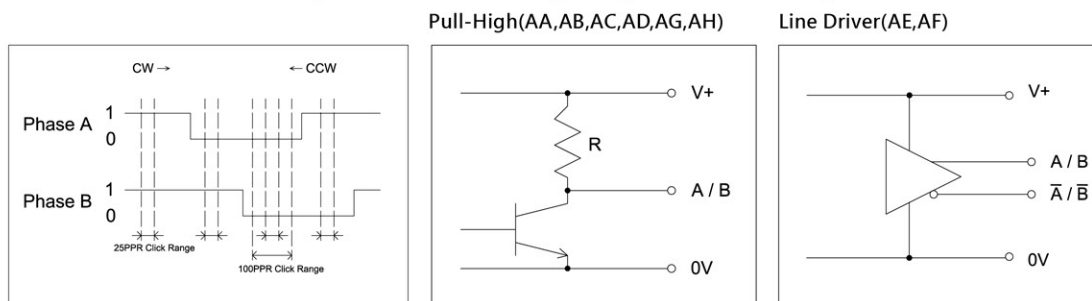
## Specification

Type	AA, AB	AC, AD	AG, AH	AE, AF
Power Source Current : Standard	DC 5V±10% 100mA max	DC 12V±10% 100mA max	DC 24V±10% 100mA max.	DC 5V±10% 150mA max.(90mA typ.)
Output Type	330Ω Pull-High	2.0KΩ Pull-High		Line Driver Terminal Resistor at receiving end 100Ω
Output Voltage (Pull-High)	High Level : Voltage -0.5V min. Low Level : 0.4V max. (Unloaded)			
Pulse	100 Pulse / 100 PPR or 25 Pulse / 100 PPR			
Response	5KHz			
Rotating Torque	250 ~ 450 gf•cm			
Rotating Life	1,000,000 min.			
Operating Temperature	0°C / + 50°C			
Storage Temperature	-10°C / +60°C (w/o condensation)			
Shock	0.5G - Vibration , 2G - Shock			
Weight	150g (AX-60) , 250g (AX-80)			

## Waveform

Clockwise, phase A is rising as phase B is low (0).

Counter-clockwise, phase A is rising as phase B is high (1).



## External Dimensions & Cutout (mm)

